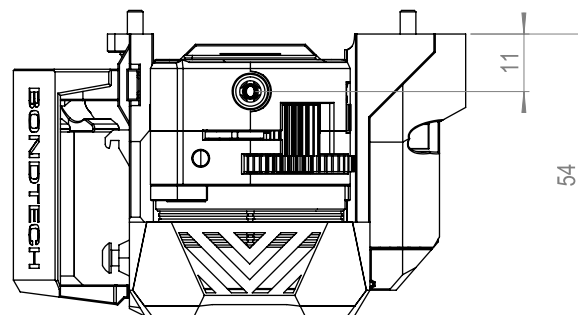
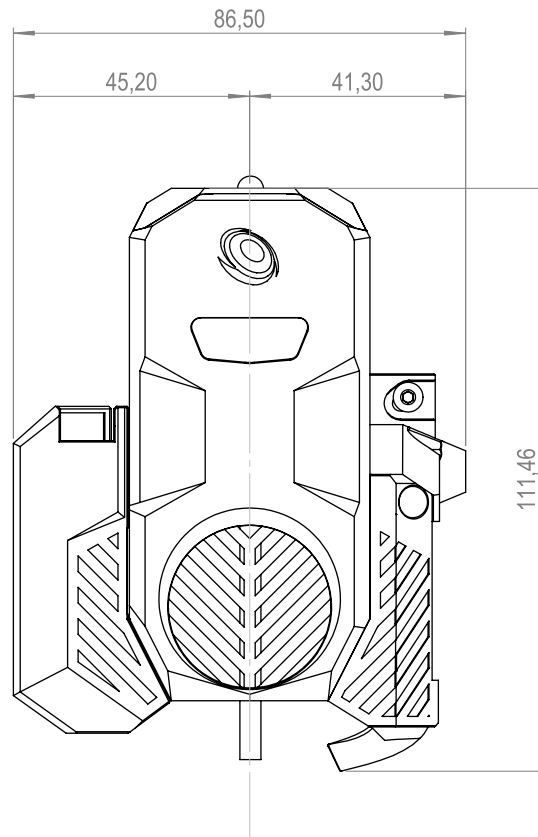


#upgrade kit

EXT-KIT-95
SKU



NAME LGX Lite Arrow Upgrade Kit for Creality

TYPE Upgrade Kit

SKU EXT-KIT-95

Specifications

Upgrade Type	Direct extruder
Filament Diameter	1.75 mm
E-Steps Change	Required to 562 @1/16 micro stepping
Extruder Current Change	Required to 450- 600mA (~ 0.5 - 0.65 Vref)
Extruder (Included)	Bondtech LGX Lite V2 (TDS here)
Compatible Extruders (alternative)	LGX Lite
Compatible Printers	Creality CR-6 SE, CR-6 Max and CR-10 Smart Stock, Copperhead (screw mount only), Mosquito, Mosquito Magnum
Compatible Hotends	
Compatible Materials	Abrasive, rigid, semi-flexible, flexible
Compatible Bed Leveling Sensors	Native (Creality strain gauge)

Required Tools

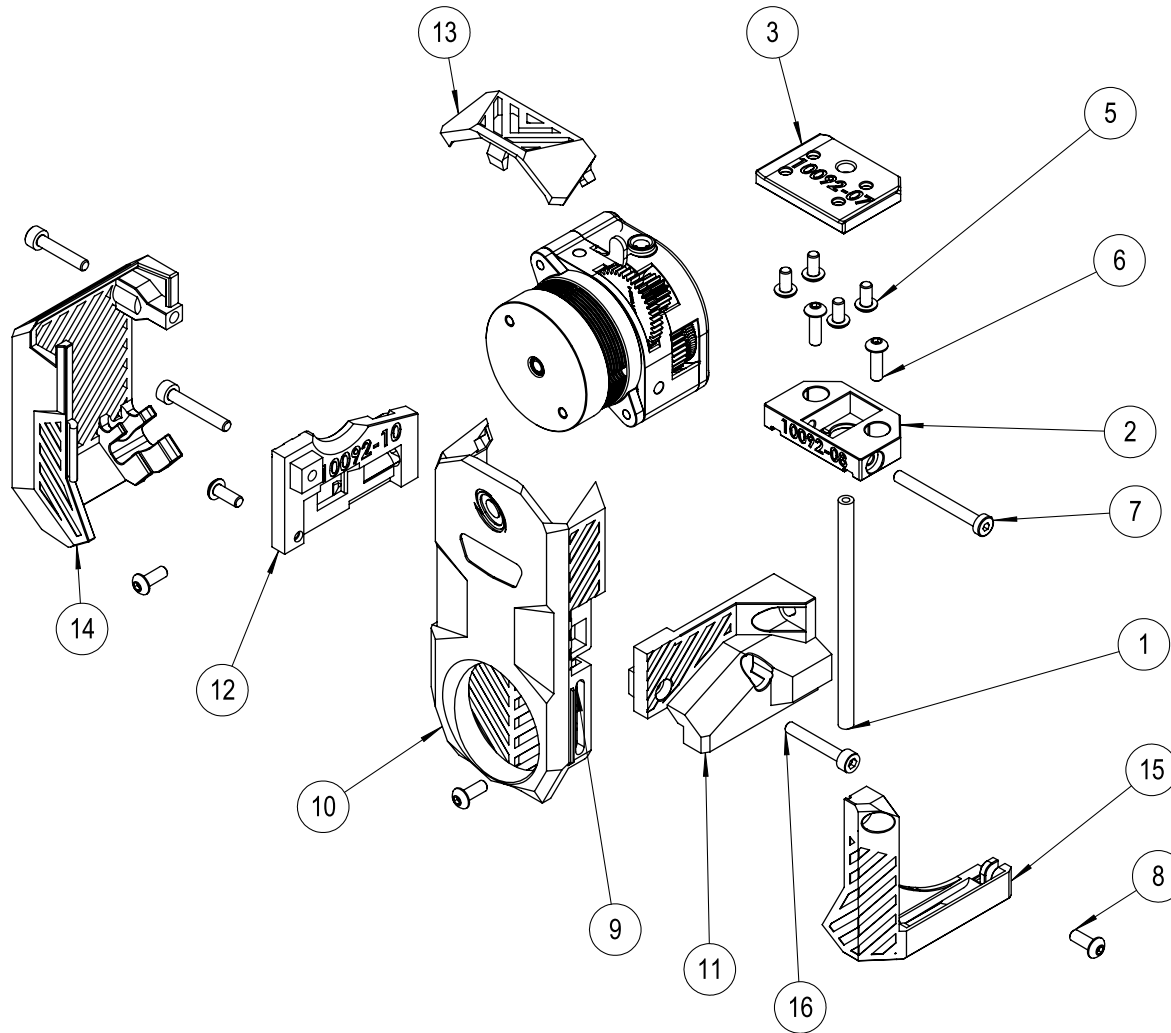
1.5mm Hex Key
2mm Hex Key
2.5mm Hex Key
Wrench
Utility Knife
Multimeter

Stock Items Reused

Toolhead PCB
4010 blower fan

#upgrade kit

EXT-KIT-95
SKU



Item Ref.	Qty.	Description	Article Number
1	1	Capricorn XS Tube for 1.75mm	12020
2	1	LGX Lite Arrow Hotend mount	10092-08
3	1	LGX Lite Arrow Extruder mount	10092-07
5	4	M3x6 Button Head Hex Stainless Steel	MK6SM3X6OBEH
6	2	M3x10 Button Head Hex Stainless Steel	MK6SM3X10OBEH
7	1	M3x30 Low Head Cap Screw Black Oxide	M3X30L
8	4	M3x8 Button Head Hex Stainless Steel	MK6SM3X8OBEH
9	4	Square Nut M3	FKM3
10	1	LGX Lite Arrow Front housing	10092-01
11	1	LGX Lite Arrow Right Housing	10092-02
12	1	LGX Lite Arrow Left housing	10092-10
13	1	LGX Lite Arrow Lid	10092-04
14	1	LGX Lite Arrow Cover v2	10092-11
15	1	LGX Lite Arrow 4010 Fan Shroud	10092-05
16	2	M3x20 Hex Screw	M3X20OBEH

UPGRADE KIT EXPLODED VIEW #02/02