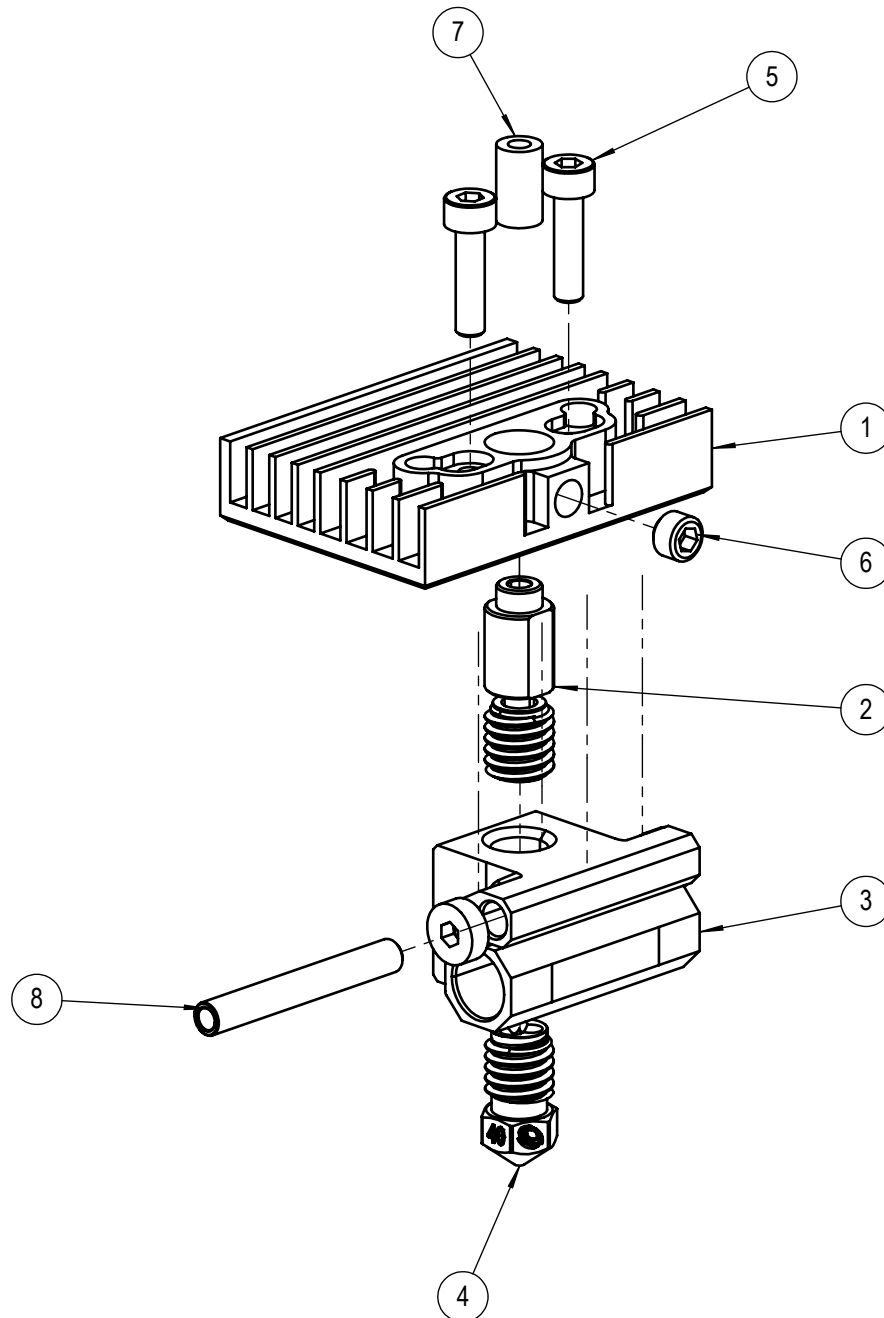


#accessories set HOT01CPP41429

SKU



NAME LGX SK Copperhead Hotend - Short Hotend Kit

TYPE Hotends

SKU HOT01CPP41429

Item Ref.	Qty.	Description	Article Number
1	1	SKC Heatsink	02PRT61CRG00103
2	1	LGX Heatbreak Copperhead	01MCH00BRG00106
3	1	Copperhead Hot Block OEM	002/M3
4	1	Bondtech Coated Brass Nozzle MOS 0.40	01FST30INS00085
5	2	Socket Head Screw M2.5x10	MX3X6L
6	1	Setscrew M4x3.0	01LCT00CBL00087
7	1	Capricorn XS Tube for 1.75mm	02PRT61HLD00112
8	1	Thermistor adapter	02PRT61HLD00113

Specifications

Gross Weight	TBD
Net Weight	34.19g
Box Dimensions (Lwh)	TBD